



**RK ROSE+KRIEGER**

A Phoenix Mecano Company

## EMS – stainless steel mounting system

A fresh approach connection  
to technology



## EMS – stainless steel mounting system

# A fresh approach to stainless steel connection technology

## Smart stainless steel mounting system (EMS) for frame structures in the food industry and in clean rooms

Stainless steel is the material standard for installations in clean rooms, for filling, packaging and conveying systems in the food industry and for all areas which are at risk from corrosion. As a specialist for niche products for these fields, we have now developed stainless steel connection elements which can be used in conjunction with special clamping technology to assemble and disassemble frame structures made from square or round tubing in the common size 40 quickly, reliably and without the need for specialist knowledge.



Video  
EMS How it works



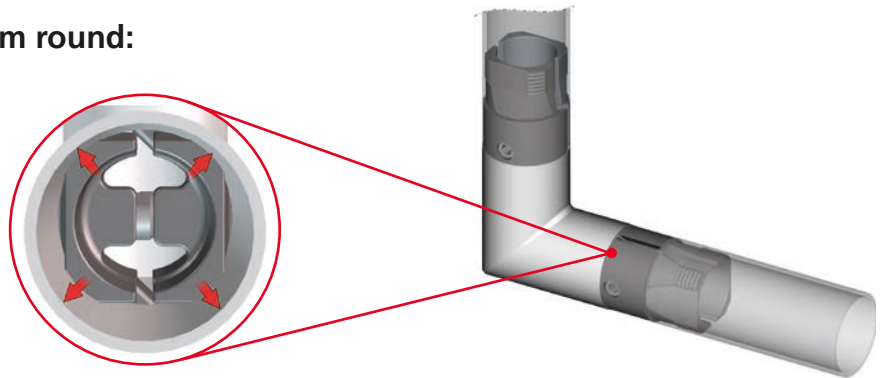
### Product benefits:

- Straightforward** – assembly without the need for specialist knowledge, using just one tool
- Quick** – considerable time savings thanks to assembly of pre-fabricated modules without reworking
- Flexible** – easy to assemble/disassemble and reusable
- Stable** – high-strength internal clamping mechanism
- Versatile** – available for round tubing and square tubing
- Available** – all components in stock and available for delivery
- With corrosion protection** – all individual parts made of stainless steel
- Sustainable** – suitable for mono-material recycling

# Functional illustration

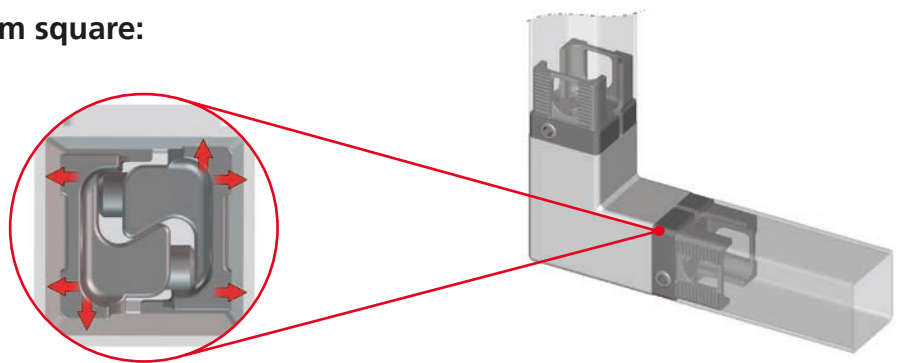
## Stainless steel mounting system round:

By screwing in the threaded pins, the inner clamping mechanism is moved in parallel and a friction-locked tube connection is created, which is distributed over four contact points.



## Stainless steel mounting system square:

By screwing in the grub screws, the internal mechanism is moved diagonally across an inclined plane, creating a friction-locked. The tube connection is distributed over four contact surfaces.



# Technical data

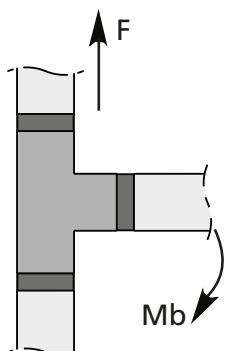
## Basic information / mechanical properties

- Stainless steel Elements EMS 1.4301 / 1.4308

## Loads

**Attention!**  
The data in the chart do not ensure a guarantee of quality or a warrant characteristic of our products. These are nonbinding standard values which might be not reached in individual cases due to the temperature or surface finish of the clamping profile.

Adh. force [N]: static pull



Bending moment Mb [Nm]

Version	Including static safety factor $\nu = 2$		Tightening torque of the clamping screws
	F [N]	Mb [Nm]	Nm
round	1568	77	15
square	1097	63	15

**EMS – stainless steel mounting system**

## Overview

### EMS round tube connectors



**EMS WIT R 40**



**EMS WI R 40**



**EMS WIE R 40**



**EMS KI R 40**



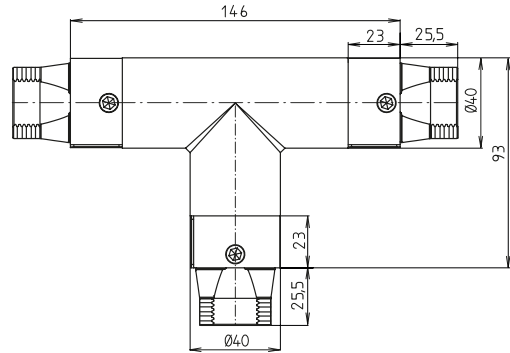
**EMS FI R 40**

**Note:**  
The adjustable foot is not included  
and must be ordered separately.



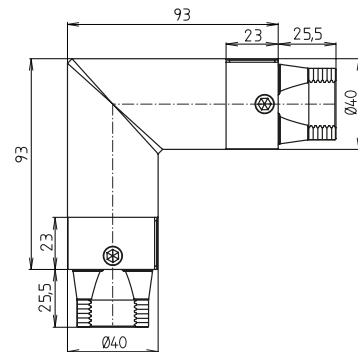
**EMS WIT R 40**

Code No.	Type	m [g]
11403653305	WIT R 40	1145



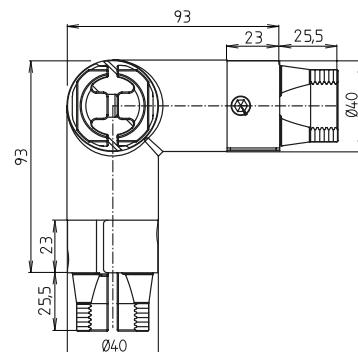
**EMS WI R 40**

Code No.	Type	m [g]
11403651305	WI R 40	780



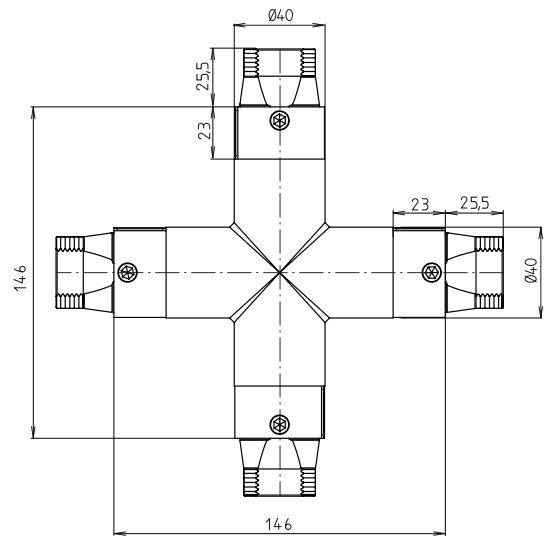
**EMS WIE R 40**

Code No.	Type	m [g]
11403652305	WIE R 40	1120



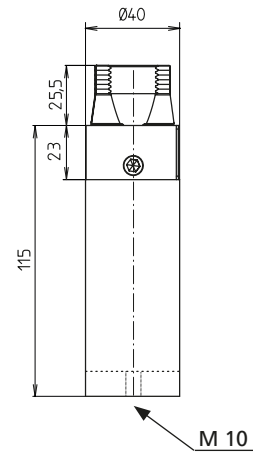


## EMS – stainless steel mounting system



**EMS KI R 40**

Code No.	Type	m [g]
10403650305	KI R 40	1500



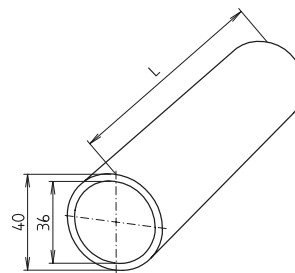
**EMS FI R 40**

Code No.	Type	m [g]
10403655305	FI R 40	548

**Note:**  
The adjustable foot is not included  
and must be ordered separately.

# Accessories

## EMS round tube connectors



### Stainless steel tube

Code No.	Type	m [g/m]
8040022	40x2	1870

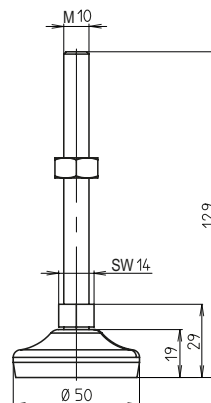
every length is possible  
max. 6000 mm

**Notice:**

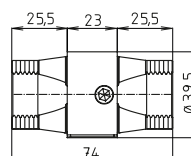
Due to the manufacturing process, there may be differences in the gloss level of the tubes.



### Screw-in adjustable foot stainless steel with vibration damper



Code No.	Type	m [g]
90603	M 10	152



### EMS connector R 40

Code No.	Type	m [g]
13403656305	Verb R 40	298

**EMS – stainless steel mounting system**

## Overview

### EMS square tube connectors



**EMS WIT V 40**



**EMS WI V 40**



**EMS WIE V 40**



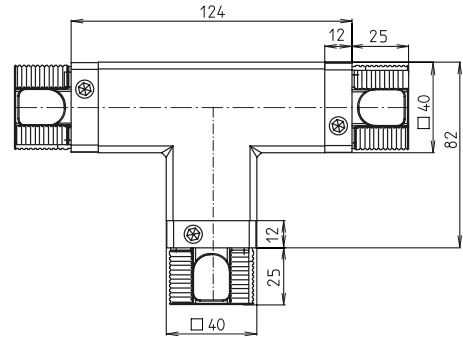
**EMS KI V 40**



**EMS FI V 40**

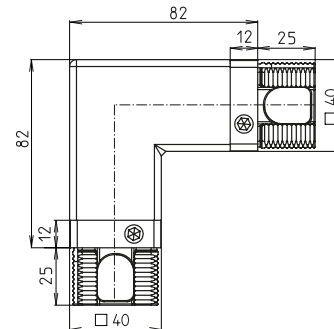
**Note:**  
The adjustable foot is not included  
and must be ordered separately.





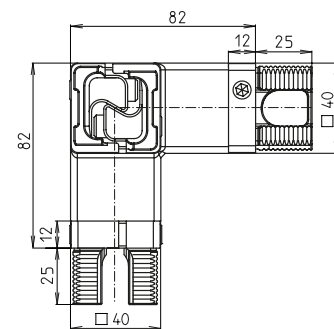
**EMS WIT V 40**

Code No.	Type	m [g]
11403643305	WIT V 40	1002



**EMS WI V 40**

Code No.	Type	m [g]
11403641305	WI V 40	695



**EMS WIE V 40**

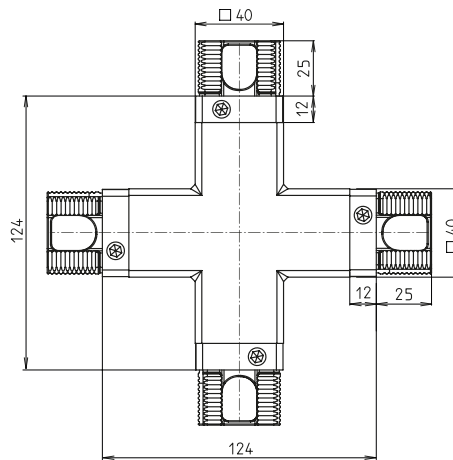
Code No.	Type	m [g]
11403642305	WIE V 40	1002

## EMS – stainless steel mounting system



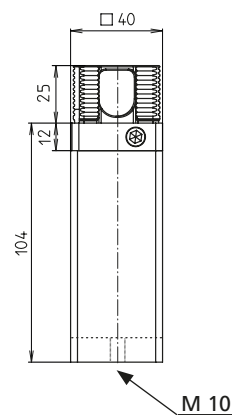
**EMS KI V 40**

Code No.	Type	m [g]
10403640305	KI V 40	1308



**EMS FI V 40**

Code No.	Type	m [g]
10403645305	FI V 40	545



**Note:**  
The adjustable foot is not included and must be ordered separately.

# Accessories

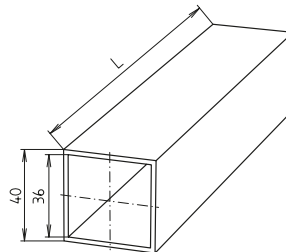
## EMS square tube connectors



### Stainless steel

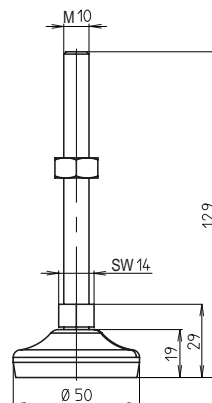
Code No.	Type	m [g/m]
8140022	40x2	2330

every length is possible  
max. 5950 mm



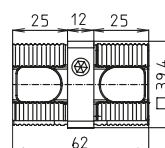
### Screw-in adjustable foot stainless steel with vibration damper

Code No.	Type	m [g]
90603	M 10	152



### EMS connector V 40

Code No.	Type	m [g]
13403646305	V 40	236





**RK ROSE+KRIEGER**

A Phoenix Mecano Company

**RK Rose+Krieger GmbH**  
**Verbindungs- und Positioniersysteme**  
Potsdamer Straße 9  
32423 Minden, Germany  
+49 571 9335-0  
info@rk-online.de  
www.rk-rose-krieger.com



More Informations

EN 250 Flyeralarm 8100050251 07/2023 Printed in Germany