



RK ROSE+KRIEGER

A Phoenix Mecano Company



Controls & Accessories

Controls - Product selection

Finding the right control



Depending on technical and optical requirements, it takes just 2 steps to find the controls that matches your needs.
Step 1 - Determine the type of control.
Step 2 - Choose the appropriate version.

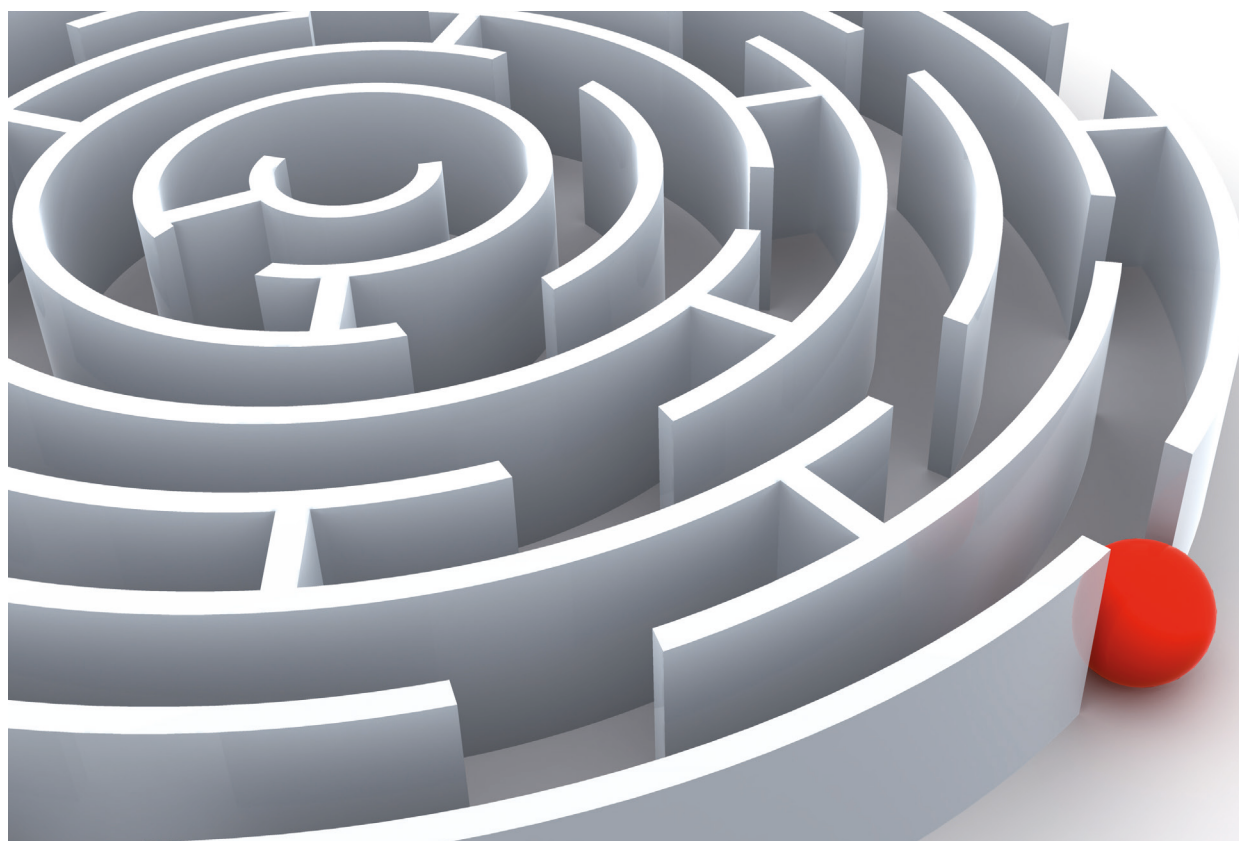
Step 1











Select the control on the right that meets your requirements.

Step 1

For step 2, please refer to the relevant catalogue page.



Mono			
Features	MultiControl mono page 152	MultiControl Care Mono page 154	LAMBDA-actuators page 158
No. of drives	1 – 2	1 – 4	1 – 3
Individual operation	●	●	●
Parallel operation	●	●	●
Mains-independent battery mode			
Variable speed control	●		
Wide-range input		●	

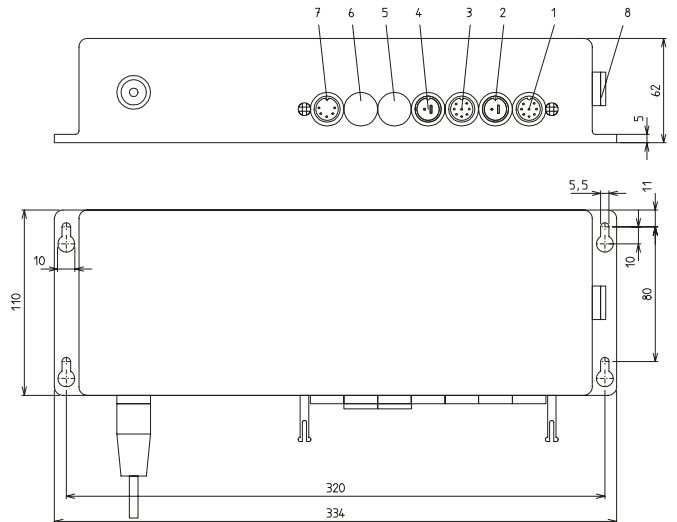
Synchro					
Features	MultiControl duo page 160	MultiControl duo silent page 162	MultiControl quadro page 164	MultiControl Care Synchro page 166	MultiControl duo accu page 170
No. of drives	1 – 2	1 – 2	1 – 4	2 – 4	1 – 2
Individual operation	●	●	●	●	●
Parallel operation				●	
Synchronised operation	●	●	●	●	●
Duty cycle monitoring	●	●	●		●
Memory function*	●	●	●		●
Networking of multiple controls	●	●	●		
Safety shutdown function*			●		
Wide-range input				●	

* only in conjunction with hand switch (6 function keys & display)

MultiControl mono

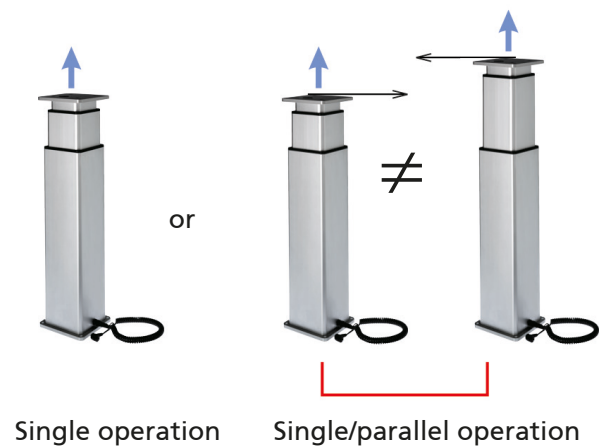
Control - MultiControl mono, connection A

- Socket 1 not assigned
- Socket 2 2-pin DIN socket for drive 1
- Socket 3 not assigned
- Socket 4 2-pin DIN socket for drive 2
- Socket 5 not assigned
- Socket 6 2- to -10- volt- input or potentiometerinput
- Socket 7 5-pin DIN socket for parallel hand switch with 2 or 6 function keys
- Socket 8 not assigned



Control - MultiControl mono connection C

- Socket 1 8-pin DIN socket for drive 1
- Socket 2 not assigned
- Socket 3 8-pin DIN socket for drive 2
- Socket 4 not assigned
- Socket 5 not assigned
- Socket 6 2- to -10- volt- input or potentiometerinput
- Socket 7 5-pin DIN socket for parallel hand switch with 2 or 6 function keys
- Socket 8 not assigned



Features:

- Single or parallel operation of up to two lifting columns or electric cylinders (not synchronised)
- External potentiometer (customer-supplied) for setting an infinitely variable motor speed
- Temperature and duty cycle monitoring as overload protection (standard)
- Used together with a hand switch (6 function keys) this unit supports joint/individual movement of two drives

General information/operating conditions

	Connection A	Connection C
The following can be connected:	Multilift, LZ 60, Drive units LZ, Alpha Colonne	Alpha Colonne, RKPowerlift (external control), RK Slimlift, Linear cylinder LZ 60, Drive units LZ
Max. duty cycle	10% 10 A, 15% 7 A	20%
Input voltage	230 V AC (115 V AC available on request)	
Output voltage	24 V DC	36 V DC
Power	250 VA	300 VA
Current output	Max. 10 A	Max. 12 A
Protection class	IP 30	
Length of mains cable	1,8 m	

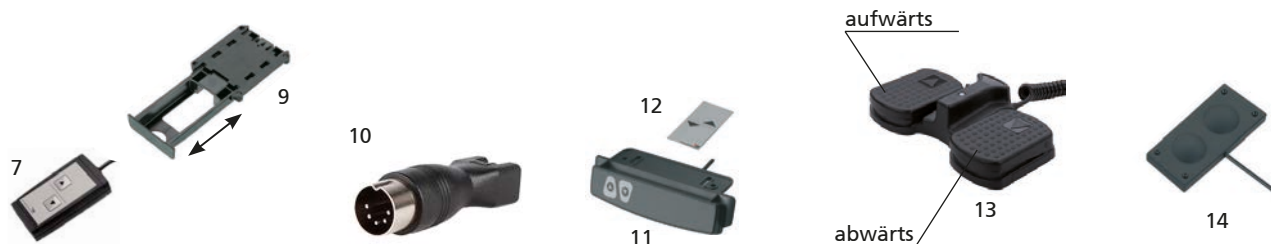
Controls

Order information:

Observe the current output of the drives when selecting the control.

Code No.	for drive
QSTACA1AA000	mono, 2- pin DIN- Connector
QSTACCA1AA000	parallel, 8- pin DIN- Connector

Hand switches/accessories



Note: For further hand switch versions, please refer to the chapter "Controls" on page 148

Code No.	Version	Mono operation	Parallel operation	2 drives with individual control	Fig.
QZB11G07AB041	Hand switch with 1 m spiral cable – 2 function keys	X	(X)		7
QZB02A03AB041	Undercover hand switch with "angled" plug	X			14
QZB00A00AB051	Table hand switch with 1 m spiral cable – 2 function keys	X			11
QZB00A00BC011	Membrane keyboard with 1 m spiral cable – 2 function keys	X	(X)		12
QZB02C01AE114	Foot switch – 2 function keys	X	(X)		13
Accessories					
QZD000074	Drawer for hand switch				9
QZD0702844000*	Straight connecting cable (4 m) with 5-pin connector and open cable end				
QZD070525	Extension cable 2,5 m drive for connector A/2-pin DIN socket				
QZD070526	Extension cable 2,5 m drive for connector C/8-pin DIN socket				
QZD070750	Adapter DIN 5pol to Molex 6pol				10

When using the manual switch with 2 function keys **QZB11G07AB041 on the MultiControl I the adapter DIN 5pin to Molex 6pin **QZD070750** is required.

*for the connection of a parallel hand switch or an external potentiometer (in the case of the MultiControl mono) **QZD0702844000**

(X) = limited use

MultiControl Care mono



International connecting options



Multilift mono
Tested to EN 60601-1 (3E)



MultiControl Care
Tested to EN 60601-1 (3E)



Features:

- 4 drives
- Single-fault protection
- Switching power supply with wide-range input
- Conforms to the Ecodesign Directive (standby electricity output <math><0.5\text{ W}</math>)
- International connecting options

MultiControl Care - Table of contents

Properties/Technical data

- General information/operating conditions.....Page 156

Versions

(Dimensions, order numbers)



- MultiControl Care MonoPage 156

Accessories

Control

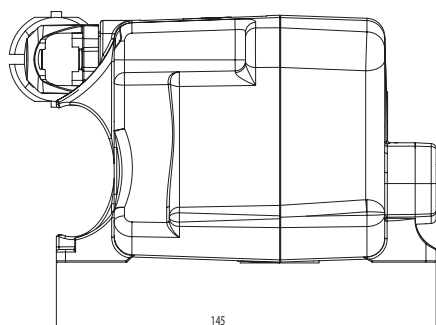
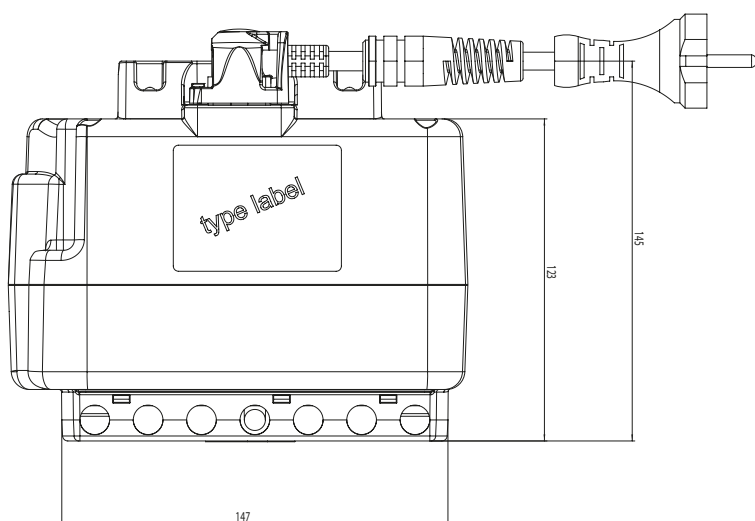
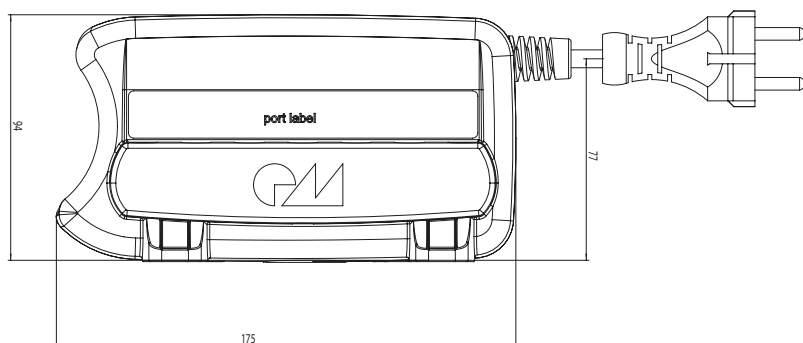
- ControlsPage 157
- Hand switchesPage 157
- Power cablePage 157

MultiControl Care – Technical data

General information / operating conditions

The following can be connected:	Multilift mono
Max. duty cycle	At nominal load, 10% (max. 2 mins operating time, 18 mins rest time)
Input voltage	100–240 V AC, 50/60 Hz, switching power supply with wide-range input $\pm 10\%$
Number of drives ¹⁾	Max. 4 drives
Power	Conforms to the Ecodesign Directive (standby electricity output <0.5 W)
Current output	Current output at nominal load max. 3.0 A (depending on input voltage)
Degree of protection	IP20, IPX6
Length of mains cable	3,000 mm–4,000 mm (depending on version, PVC)

1) No more than two drives may be operated at nominal load at the same time!



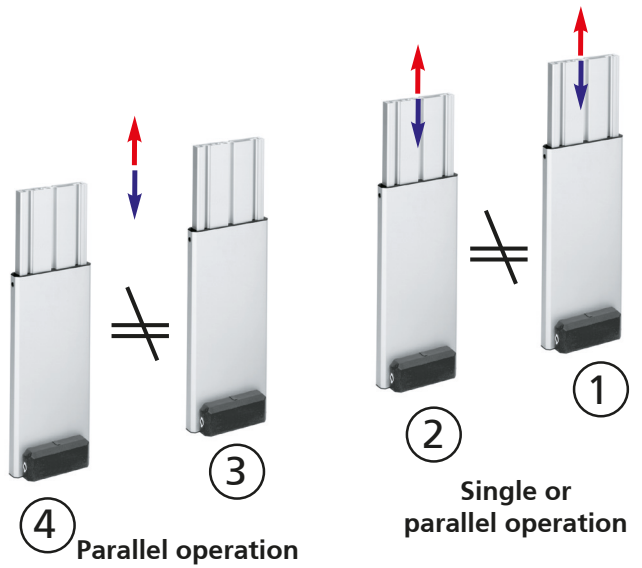


Controls - MultiControl Care

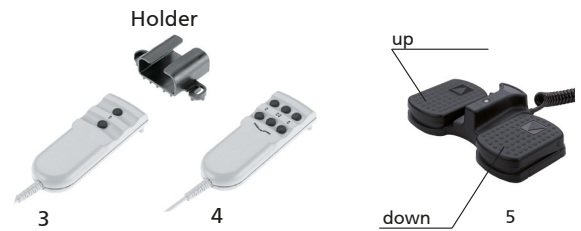


Code No	for drive
QST10H20AC300	MultiControl Care Mono*

*Please order power cable separately; see below.



Hand switches / accessories



Code No.	Version	Mono mode	Parallel operation	2 drives with individual control	Fig.
QZB20A06BF137	2 keys (13-pin)	●	●		3
QZB20A06BG137	6 keys (13-pin)	●	●	●	4
QZB20A06BH136	Foot switch, 2 keys (13-pin)	●	●		5
QZD000072	Holder for hand switch (3 + 4)				

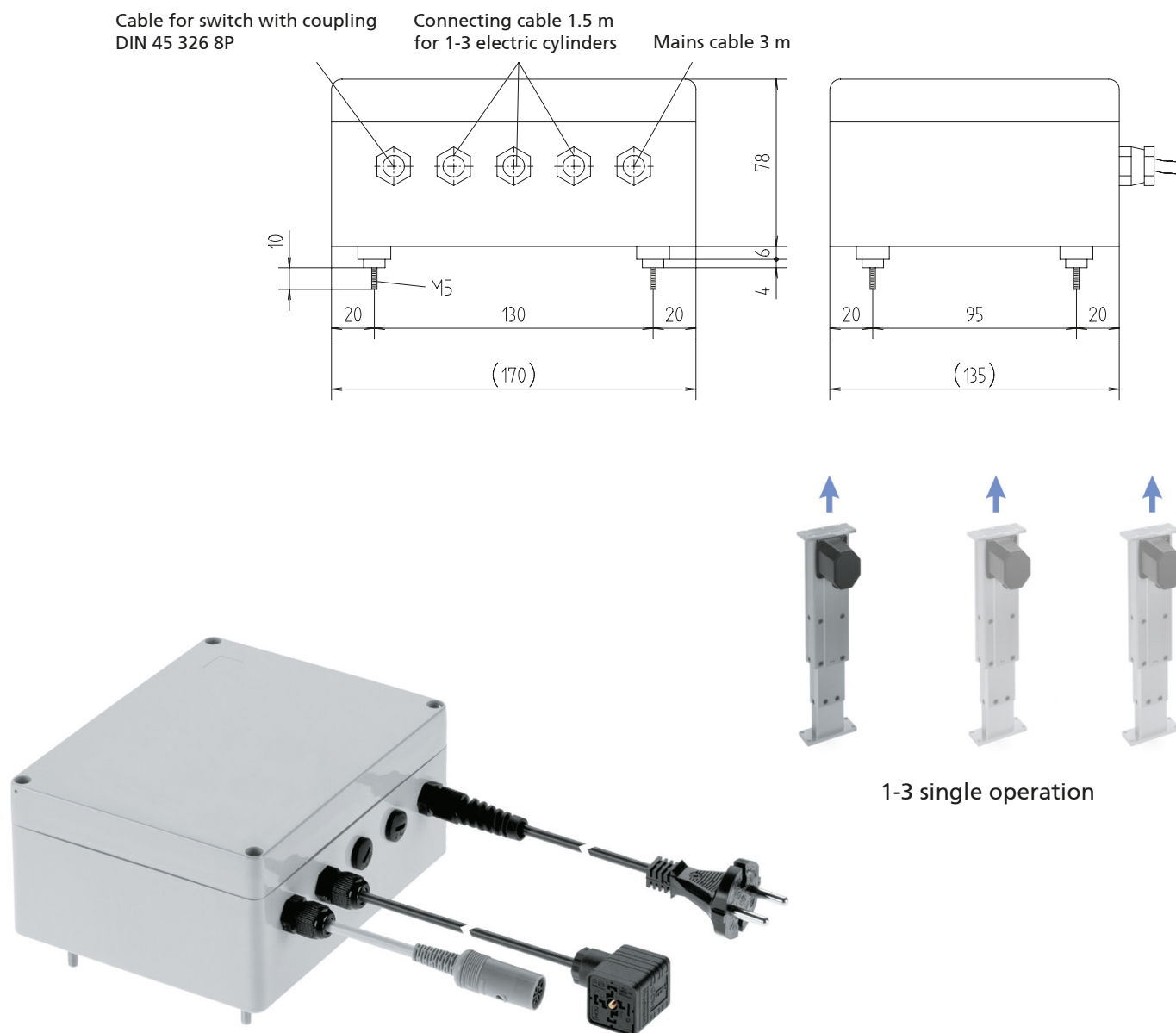
Power cable with protective ground wire (PE)



Code No	Version	Length	Fig.
QZD170501	Power cable* (USA version), plug-in, straight	4 m	1
QZD170500	Power cable* (Europe version), plug-in, straight	3 m	2
QZD170503	Power cable* (UK version), plug-in, helix	2 m	3

Transformer control for LAMBDA actuators

LAMBDA Colonne LBC/LAMBDA LBG electric cylinder



Features:

- Integrated thermal monitoring
- Low magnetic leakage toroidal transformer with extremely low power output
- Movement of loads up to a total of 8,000 N

Options:

- Depending on the version, this unit can operate up to three individual LAMBDA actuators
- Operation with a hand switch (accessories)

General information/operating conditions

Transformer control	LBM/LBC 1 (for 1 drive) LBM/LBC 2 (for 2 drives) LBM/LBC 3 (for 3 drives)
Duty cycle	Max. 30%
Input voltage	230 V AC/50Hz (standard) or 110 V AC/50-60Hz (on request)
Supply voltage (retraction/extension)	24 V DC
Power	192 VA
Protection class	IP 54
Length of mains cable	3 m

Controls



Code No.	Version	
QZA01C04AD011	LBM/LBC 1 transformer control	Controls up to 1 electric cylinder
QZA01C04AE011	LBM/LBC 2 transformer control	up to 2 electric cylinders
QZA01C04AF011	LBM/LBC 3 transformer control	up to 3 electric cylinders

Hand switches/accessories

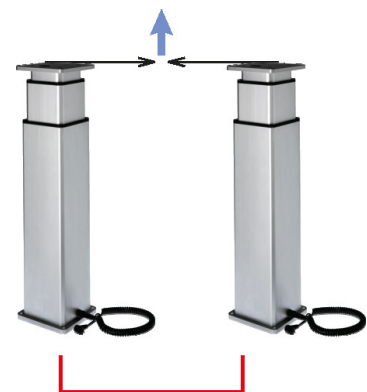
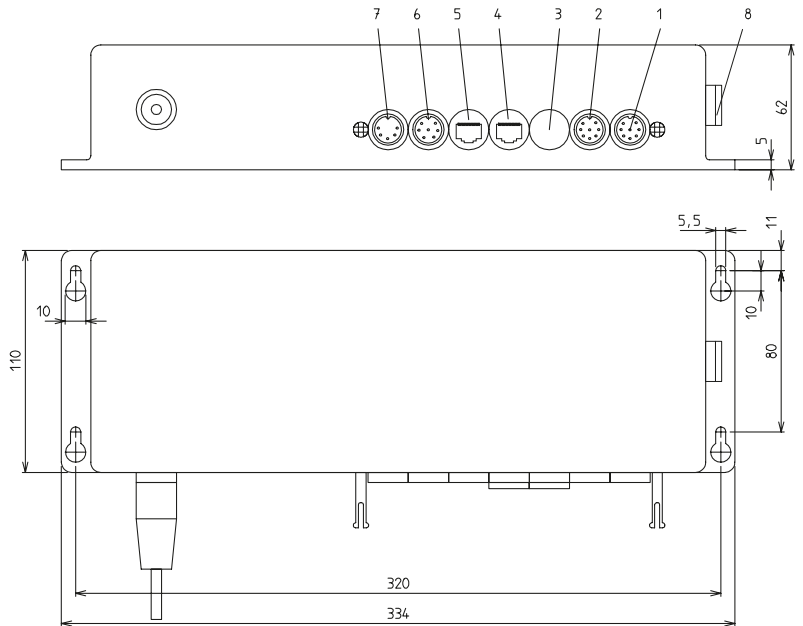


Code No.	Version		Fig.
QZB03C02AD031	LAMBDA hand switch with fixing clip – 6 function keys	Controls up to 3 drives	2
QZD000072	Bracket for hand switch		3

MultiControl duo

Control - MultiControl duo

- Socket 1 8-pin DIN socket for drive 1
- Socket 2 8-pin DIN socket for drive 2
- Socket 3 not assigned
- Socket 4 Bus
- Socket 5 Bus
- Socket 6 6-pin DIN socket for serial hand switch
- Socket 7 5-pin DIN socket for parallel hand switch with 2 function keys
- Socket 8 not assigned



Features:

- Synchronous control of up to two drives
- Duty cycle monitoring as overload protection (can be activated as standard)
- Current height display with 6-key hand switch
- The hand switch with six function keys supports storage of nine different intermediate positions (memory) which can be called up at the touch of a button
- For simple synchronous operation, we recommend the 2-key hand switch
- Bus cable enables the networking of up to 8 controls

General information/operating conditions

The following can be connected:	Multilift, Alpha Colonne, RKPowerlift (external control), <i>RK Slimlift</i> , Linear cylinder LZ 60, drive unit LZ
Max. duty cycle	20% (at 10 mins cycle time)
Input voltage	230 V AC (115 V AC available on request)
Output voltage	36 V DC
Power	300 VA
Current output	Max. 12 A
Protection class	IP 30
Length of mains cable	1.8 m

Controls

Order information:

Observe the current output of the drives when selecting the control.

Code No.	for drive	Code No.	for drive
QST35C02AA000	Drive unit LZ S/P, 230 V AC	QST20C02AA000	RK Slimlift, 230 V AC
QST61C02AA000	Alpha Colonne, 230 V AC	QST21C02AA000	RK Slimlift EM, 230 V AC
QST10C02AA000	Multilift, 230 V AC	QST30C02AA000	Electric cylinder LZ 60, 230 V AC
QST43C02AA000	RKPowerlift telescope, 230 V AC		
QST44C02AA000	RKPowerlift M, 230 V AC		

Hand switches/accessories



Note: For further hand switch versions, please refer to the chapter "Controls" on page 148.

Code No.	Version	Synchronous operation	Commissioning bus system	Memory function	Fig.
QZB11G07AB041	Hand switch with 1 m spiral cable – 2 function keys	X			7
QZB00D04AD041	Hand switch with 1 m spiral cable – 6 function keys/display	X	X	X	8
QZB02A03AB041	Undercover hand switch with "angled" plug	X			14
QZB00A00AB051	Table hand switch with 1 m spiral cable – 2 function keys	X			11
QZB00A00BC011	Membrane keyboard with 1 m spiral cable – 2 function keys	X			12
QZB02C01AE114	Foot switch – 2 function keys	X			13
Accessories					
QZD000074	Drawer for hand switch				9
QZD100093	Bus cable 6m for networking synchronous control				
QZD070526	Extension cable 2,5 m drive for connector C/8-pin DIN socket				
QZD070750	Adapter DIN 5pol to Molex 6pol				10

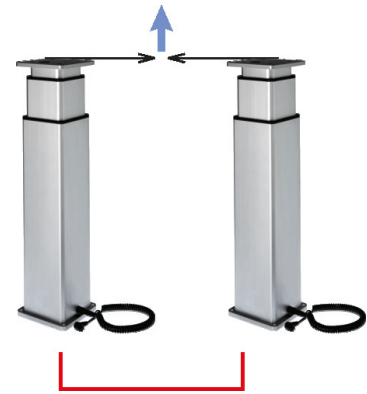
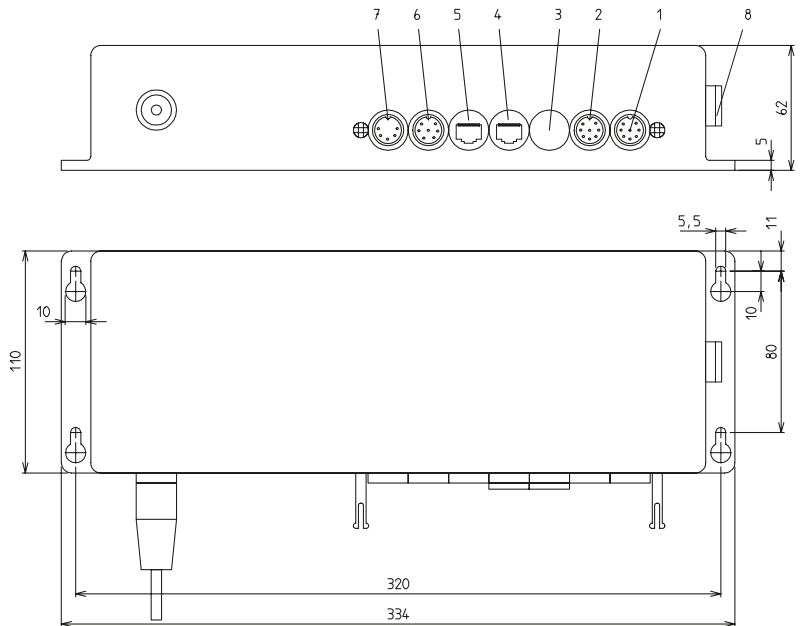
*When using the manual switch with 2 function keys **QZB11G07AB041** on the MultiControl I the adapter DIN 5pin to Molex 6pin **QZD070750** is required.

MultiControl duo silent

Low-noise control for sensitive areas

Control - MultiControl duo

- Socket 1 8-pin DIN socket for drive 1
- Socket 2 8-pin DIN socket for drive 2
- Socket 3 not assigned
- Socket 4 Bus
- Socket 5 Bus
- Socket 6 6-pin DIN socket for serial hand switch
- Socket 7 5-pin DIN socket for parallel hand switch with 2 function keys
- Socket 8 not assigned



Features:

- Synchronous control of up to two drives
- Duty cycle monitoring as overload protection (can be activated as standard)
- Current height display with 6-key hand switch
- The hand switch with six function keys supports storage of nine different intermediate positions (memory) which can be called up at the touch of a button
- Significant noise reduction due to a 30% reduction in speed compared to the Multi-Control duo
- Bus cable enables the networking of up to 8 controls

General information/operating conditions

The following can be connected:	Multilift, Alpha Colonne, RKPowerlift (external control), RK Slimlift, Linear cylinder LZ 60, drive unit LZ
Max. duty cycle	10% (at 10 mins cycle time)
Input voltage	230 V AC (115 V AC available on request)
Output voltage	24 V DC
Power	250 VA
Current output	Max. 10 A
Protection class	IP 30
Length of mains cable	1.8 m

Controls

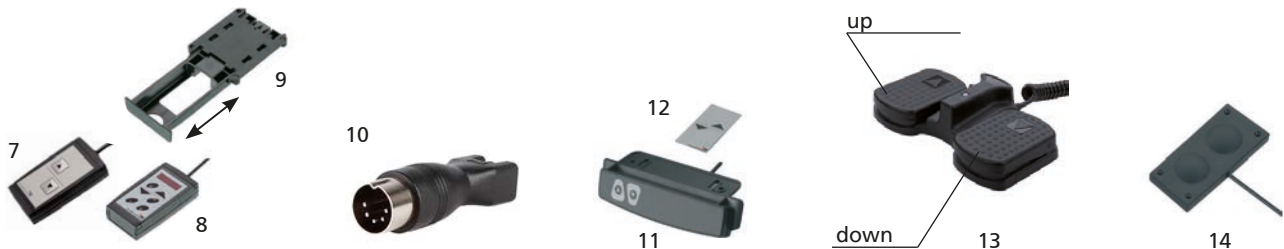
Order information:

Observe the current output of the drives when selecting the control.

Code No.	for drive
QST61C02AD000	Alpha Colonne, 230 V AC
QST10C02AD000	Multilift , 230 V AC

Code No.	for drive
QST20C02AD000	RK Slimlift, 230 V AC
QST21C02AD000	RK Slimlift EM, 230 V AC
QST30C02AD000	Electric cylinder LZ 60, 230 V AC

Hand switches/accessories



Note: For further hand switch versions, please refer to the chapter "Controls" on page 148.

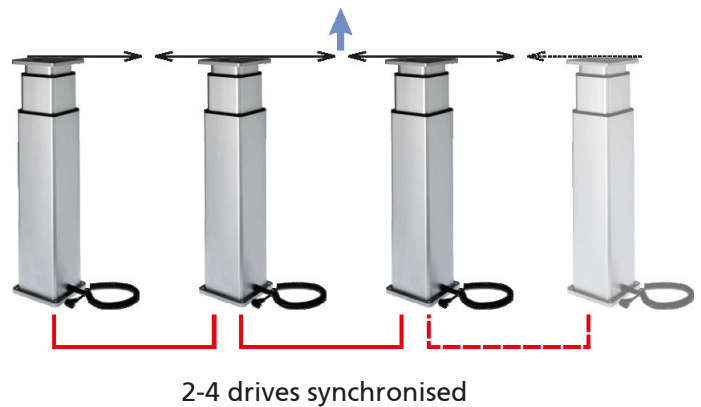
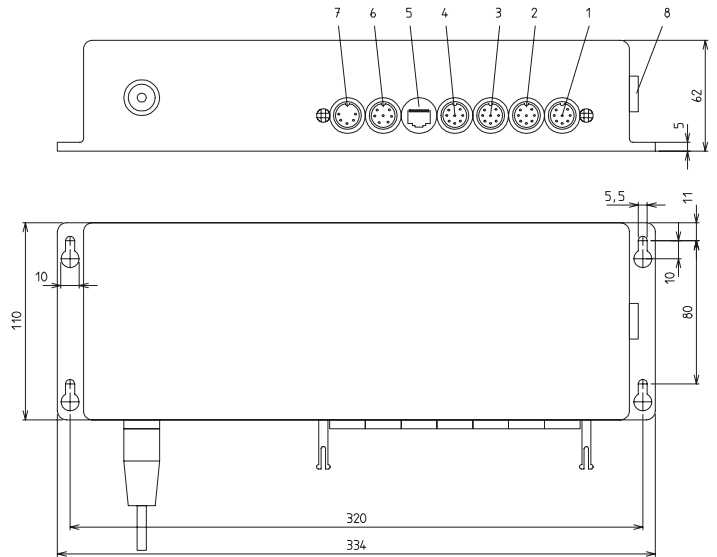
Code No.	Version	Synchronous operation	Commissioning bus system	Memory function	Fig.
QZB11G07AB041	Hand switch with 1 m spiral cable – 2 function keys	X			7
QZB00D04AD041	Hand switch with 1 m spiral cable – 6 function keys/display	X	X	X	8
QZB02A03AB041	Undercover hand switch with "angled" plug	X			14
QZB00A00AB051	Table hand switch with 1 m spiral cable – 2 function keys	X			11
QZB00A00BC011	Membrane keyboard with 1 m spiral cable – 2 function keys	X			12
QZB02C01AE114	Foot switch – 2 function keys	X			13
Accessories					
QZD000074	Drawer for hand switch				9
QZD100093	Bus cable 6 m for networking synchronous control				
QZD070526	Extension cable 2,5 m drive for connector C/8-pin DIN socket				
QZD070750	Adapter DIN 5pol to Molex 6pol				10

*When using the manual switch with 2 function keys **QZB11G07AB041** on the MultiControl I the adapter DIN 5pin to Molex 6pin **QZD070750** is required.

MultiControl quadro

Control - MultiControl quadro

- Socket 1 8-pin DIN socket for drive 1
- Socket 2 8-pin DIN socket for drive 2
- Socket 3 8-pin DIN socket for drive 3
- Socket 4 8-pin DIN socket for drive 4
- Socket 5 Bus
- Socket 6 6-pin DIN socket for serial hand switch
- Socket 7 5-pin DIN socket for parallel hand switch with 2 function keys
- Socket 8 6-pin DIN socket for connecting a protective shutdown e.g. a safety edge switch



Features:

- The synchronous control can operate up to four drives
- Duty cycle monitoring protects the system against overload (can be activated as standard)
- The hand switch with 6 function keys supports storage of nine different intermediate positions (memory) which can be called up at the touch of a button
- 2-key hand switch for simple synchronous operation
- Bus cable enables the networking of up to 8 controls

General information/operating conditions

The following can be connected:	Multilift, Alpha Colonne, RKPowerlift (external control), RK Slimlift, Linear cylinder LZ 60, drive unit LZ
Max. duty cycle	20% (at 10 mins cycle time)
Input voltage	230 V AC (115 V AC available on request)
Output voltage	36 V DC
Power	300 VA
Current output	Max. 12 A
Protection class	IP 30
Length of mains cable	1.8 m

Controls

Order information:

Observe the current output of the drives when selecting the control.

When connecting a switch-strip or other protective cut-out device, please consider control of the single impulses, regarding over travel.

For this function, please ensure that a 6-Button handset, with display is used. (as Example. 8).

Code No.	for drive
QST35C04AA000	Drive unit LZ S/P, 230 V AC
QST61C04AA000	Alpha Colonne, 230 V AC
QST10C04AA000	Multilift, 230 V AC
QST43C04AA000	RKPowerlift telescope, 230 V AC
QST44C04AA000	RKPowerlift M, 230 V AC

Code No.	for drive
QST20C04AA000	RK Slimlift, 230 V AC
QST21C04AA000	RK Slimlift EM, 230 V AC
QST30C04AA000	Electric cylinder LZ 60, 230 V AC

Hand switches/accessories



Note: For further hand switch versions, please refer to the chapter "Controls" on page 148.

Code No.	Version	Synchronous operation	Commissioning bus system	Memory function	Fig.
QZB11G07AB041	Hand switch with 1 m spiral cable – 2 function keys	X			7
QZB00D04AD041	Hand switch with 1 m spiral cable – 6 function keys/display	X	X	X	8
QZB02A03AB041	Undercover hand switch with "angled" plug	X			14
QZB00A00AB051	Table hand switch with 1 m spiral cable – 2 function keys	X			11
QZB00A00BC011	Membrane keyboard with 1 m spiral cable – 2 function keys	X			12
QZB02C01AE114	Foot switch – 2 function keys	X			13
Accessories					
QZD000074	Drawer for hand switch				9
QZD070526	Extension cable 2,5 m drive for connector C/8-pin DIN socket				
QZD070750	Adapter DIN 5pol to Molex 6pol				10

*When using the manual switch with 2 function keys QZB11G07AB041 on the MultiControl I the adapter DIN 5pin to Molex 6pin QZD070750 is required.

MultiControl Care synchro



International connecting options



MultiControl Care
Tested to EN 60601-1 (3E)



Multilift synchro
Tested to EN 60601-1 (3E)

Features:

- 4 drives
- Single-fault protection
- Switching power supply with wide-range input
- Conforms to the Ecodesign Directive (standby electricity output <math><0.5\text{ W}</math>)
- International connecting options

MultiControl Care - Table of contents

Properties/Technical data

- General information/operating conditions.....Page 168

Versions

(Dimensions, order numbers)



- MultiControl Care SynchroPage 169

Accessories

Control

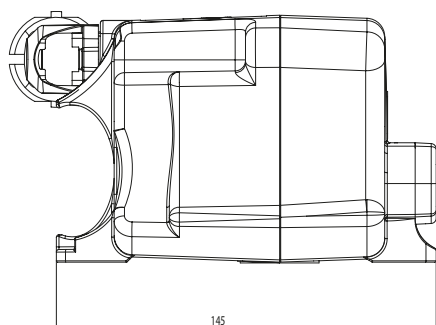
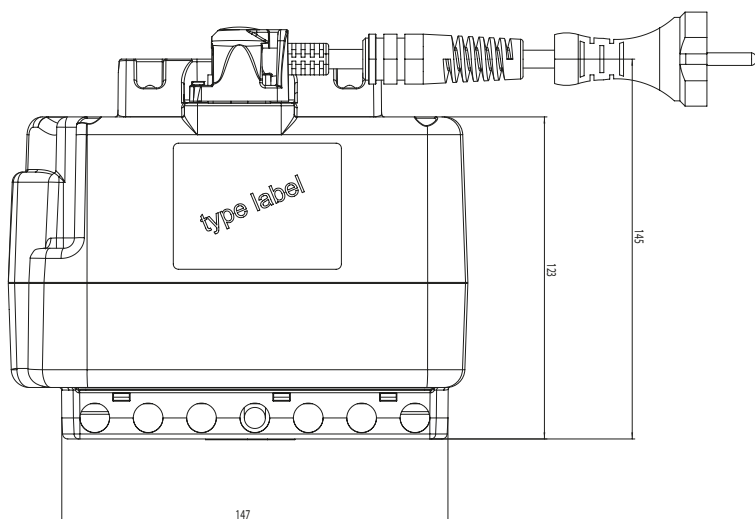
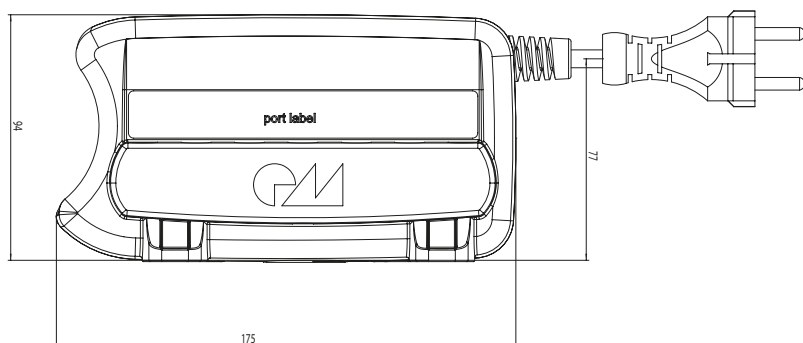
- ControlsPage 169
- Hand switchesPage 169
- Power cablePage 169

MultiControl Care – Technical data

General information / operating conditions

The following can be connected:	Multilift synchro
Max. duty cycle	At nominal load, 10% (max. 2 mins operating time, 18 mins rest time)
Input voltage	100–240 V AC, 50/60 Hz, switching power supply with wide-range input $\pm 10\%$
Number of drives ¹⁾	Max. 4 drives
Power	Conforms to the Ecodesign Directive (standby electricity output <0.5 W)
Current output	Current output at nominal load max. 3.0 A (depending on input voltage)
Degree of protection	IP20, IPX6
Length of mains cable	3,000 mm–4,000 mm (depending on version, PVC)

1) No more than two drives may be operated at nominal load at the same time!



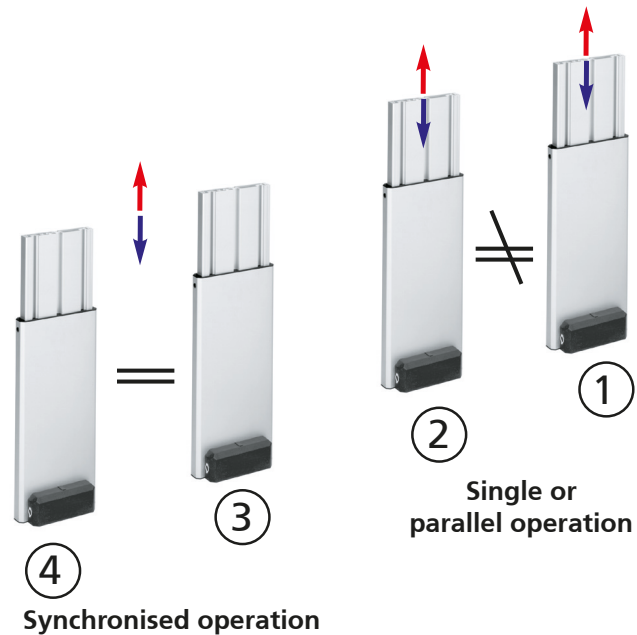


Controls - MultiControl Care

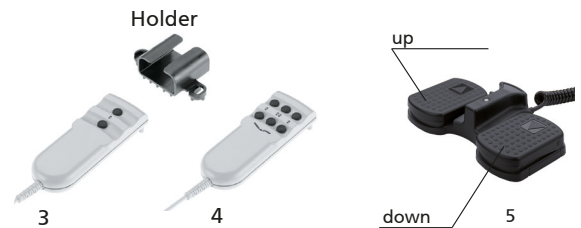


Code No	for drive
QST10H21AC300	MultiControl Care synchro*

*Please order power cable separately; see below.



Hand switches / accessories



Code No.	Version	Mono mode	Parallel operation	2 drives with individual control	Fig.
QZB20A06BF137	2 keys (13-pin)	●	●		3
QZB20A06BG137	6 keys (13-pin)	●	●	●	4
QZB20A06BH136	Foot switch, 2 keys (13-pin)	●	●		5
QZD000072	Holder for hand switch (3 + 4)				

Power cable with protective ground wire (PE)



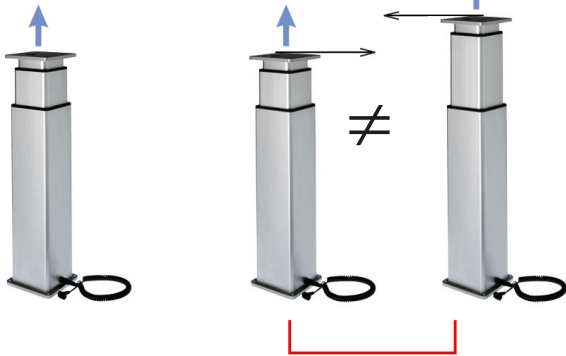
Code No	Version	Length	Fig.
QZD170501	Power cable* (USA version), plug-in, straight	4 m	1
QZD170500	Power cable* (Europe version), plug-in, straight	3 m	2
QZD170503	Power cable* (UK version), plug-in, helix	2 m	3

MultiControl accu



Battery 7.2 Ah

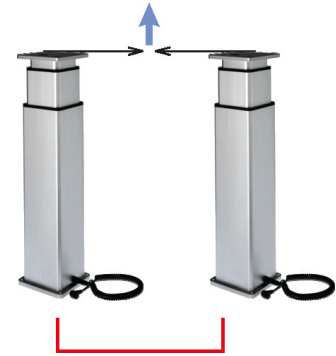
MultiControl mono



Single operation

Single/parallel operation

MultiControl duo



2 drives synchronised

Features:

- For mobile devices
- Depending on the drive and task, applications can be run independent of a mains power supply for more than 40 hours
- Memory function for storing preferred positions with MultiControl duo
- Mains-independent battery mode
- Processor-assisted charging: deep discharge protection, overload protection, trickle charging, audible undervoltage indicator

Options:

- Choice of mono or duo version for parallel or synchronous operation
- External potentiometer for setting an infinitely variable motor speed
- Storage of 9 different positions (duo)



General information/operating conditions

	Connector A	Connector C
The following can be connected:	Multilift, LZ 60, Drive units LZ, Alpha Colonne	Alpha Colonne, RK Powerlift (external control), Multilift, RK Slimlift, RK Slimlift EM, Linear cylinder LZ 60
Max. duty cycle	20% (at 10 mins cycle time)	
Input voltage	230 V AC (115 V AC available on request)	
Input power	300 VA (at 7.2 Ah)	
Nominal voltage (battery)	24 V DC	
Max. discharge current	10 A (at 7.2 Ah)	
Max. charging time	approx. 14 hours	
Protection class	II	
Protection class	IP 30	
Operating temperature	10°C to 35°C	
Storage temperature	10°C to 40°C	
Charge cycles	at 30% discharge approx. 1,000	
Weight	Control 3.5 kg/battery 5.6 kg (7.2 Ah)	
Battery cable length	0.45 m (at 7.2 Ah)	
Length of mains cable	1.8 m	

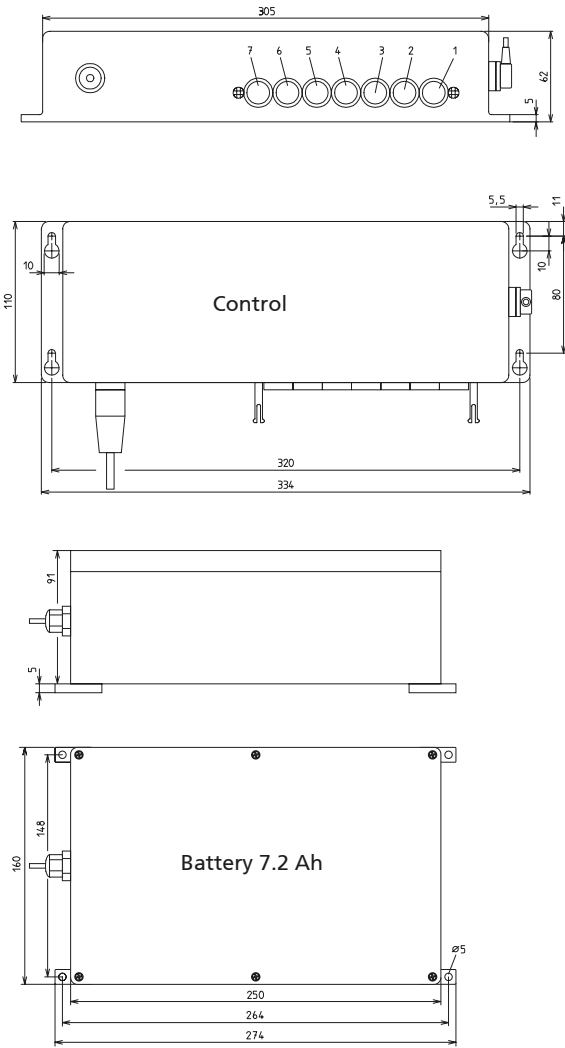
Controls

Code No.	for drive
MultiControl mono accu 7,2 Ah	
QSTAACA1AF100	mono, 2- pin DIN- socket (Connector A)
QSTACCA1AF100	parallel, 8- pin DIN- socket (Connector C)
MultiControl duo accu 7.2 Ah (Connection C)	
QST20C02AF100	RK Slimlift
QST21C02AF100	RK Slimlift EM
QST61C02AF100	Alpha Colonne II
QST10C02AF100	Multilift
QST44C02AF100	RK Powerlift M
QST43C02AF100	RK Powerlift telescope
QST30C02AF100	LZ 60

Accessories	
QZD070526	Extension cable 2.5 m drive for connector C/8-pin DIN socket

MultiControl accu

MultiControl mono/duo accu 1,2 Ah



Control - MultiControl mono accu, connection A

- Socket 1 not assigned
- Socket 2 2-pin DIN socket for drive 1
- Socket 3 not assigned
- Socket 4 2-pin DIN socket for drive 2
- Socket 5 not assigned
- Socket 6 2- to -10- volt- input or potentiometerinput
- Socket 7 7-pin DIN socket for parallel hand switch with 2 or 6 function keys
- Socket 8 connection accu

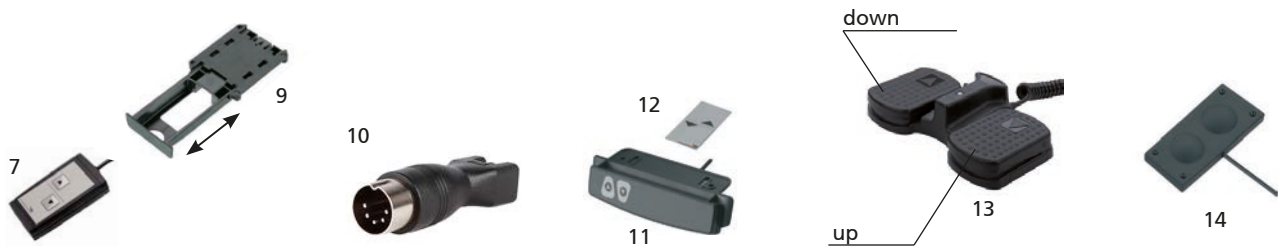
Control - MultiControl mono accu connection C

- Socket 1 8-pin DIN socket for drive 1
- Socket 2 not assigned
- Socket 3 8-pin DIN socket for drive 2
- Socket 4 not assigned
- Socket 5 not assigned
- Socket 6 2- to -10- volt- input or potentiometerinput
- Socket 7 7-pin DIN socket for parallel hand switch with 2 or 6 function keys
- Socket 8 connection accu



Height-adjustable lectern

Hand switches/accessories (MultiControl mono accu)



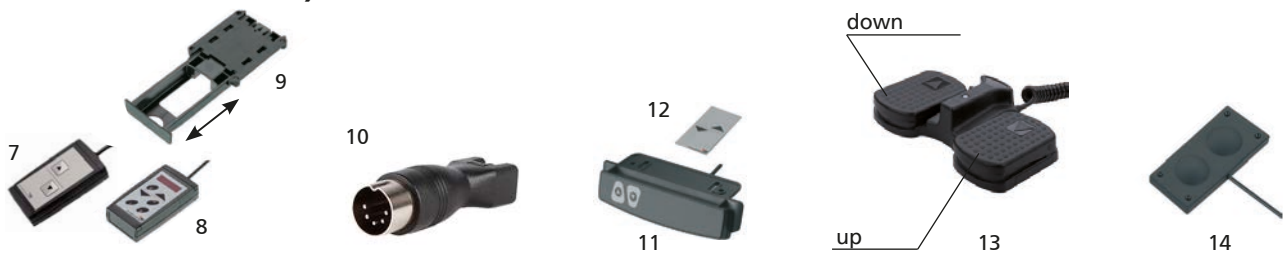
Note: For further hand switch versions, please refer to the chapter "Controls" on page 148.

Code No.	Version	Mono operation	Parallel operation	2 drives with individual control	Fig.
QZB11G07AB041	Hand switch with 1 m spiral cable – 2 function keys	X	(X)		7
QZB02A03AB041	Undercover hand switch with "angled" plug	X			14
QZB00A00AB051	Table hand switch with 1 m spiral cable – 2 function keys	X			11
QZB00A00BC011	Membrane keyboard with 1 m spiral cable – 2 function keys	X	(X)		12
QZB02C01AE114	Foot switch – 2 function keys	X	(X)		13
Accessories					
QZD000074	Drawer for hand switch				9
QZD070750	Adapter DIN 5pol to Molex 6pol				10

*When using the manual switch with 2 function keys **QZB11G07AB041** on the MultiControl I the adapter DIN 5pin to Molex 6pin **QZD070750** is required.

(X) = limited use

Hand switches/accessories (MultiControl duo accu)



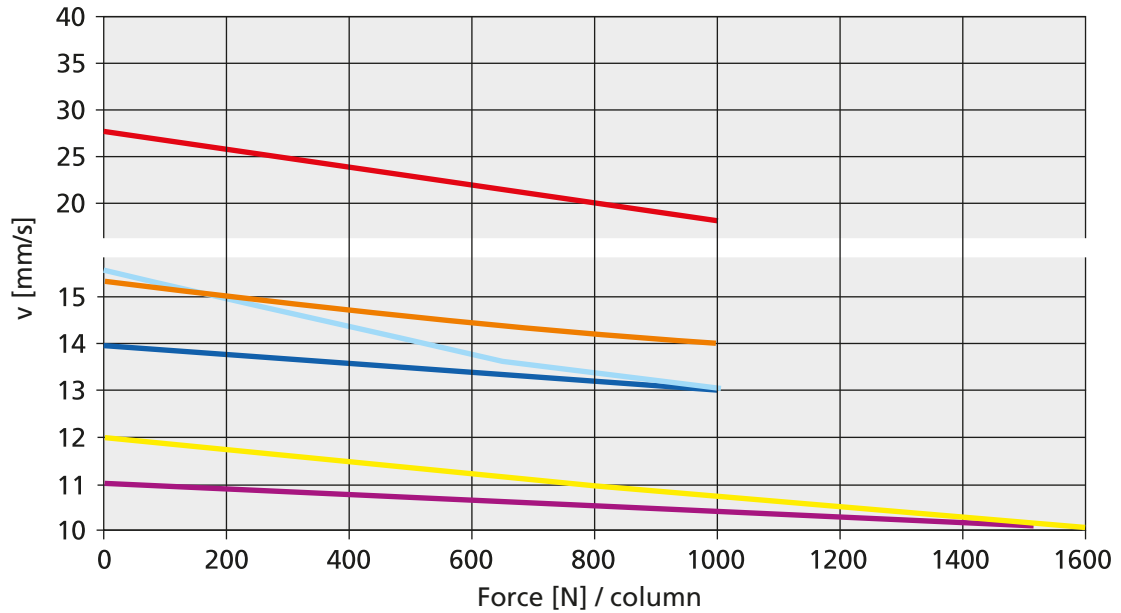
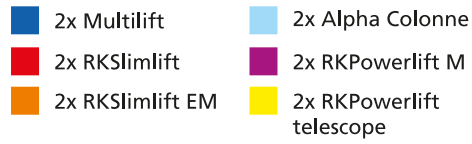
Note: For further hand switch versions, please refer to the chapter "Controls" on page 148.

Code No.	Version	Synchronous operation	Commissioning bus system	Memory function	Fig.
QZB11G07AB041	Hand switch with 1 m spiral cable – 2 function keys	X			7
QZB00D04AD041	Hand switch with 1 m spiral cable – 6 function keys/display	X	X	X	8
QZB02A03AB041	Undercover hand switch with "angled" plug	X			14
QZB00A00AB051	Table hand switch with 1 m spiral cable – 2 function keys	X			11
QZB00A00BC011	Membrane keyboard with 1 m spiral cable – 2 function keys	X			12
QZB02C01AE114	Foot switch – 2 function keys	X			13
Accessories					
QZD000074	Drawer for hand switch				9
QZD070750	Adapter DIN 5pol auf Molex 6pol				10

*When using the manual switch with 2 function keys **QZB11G07AB041** on the MultiControl I the adapter DIN 5pin to Molex 6pin **QZD070750** is required.

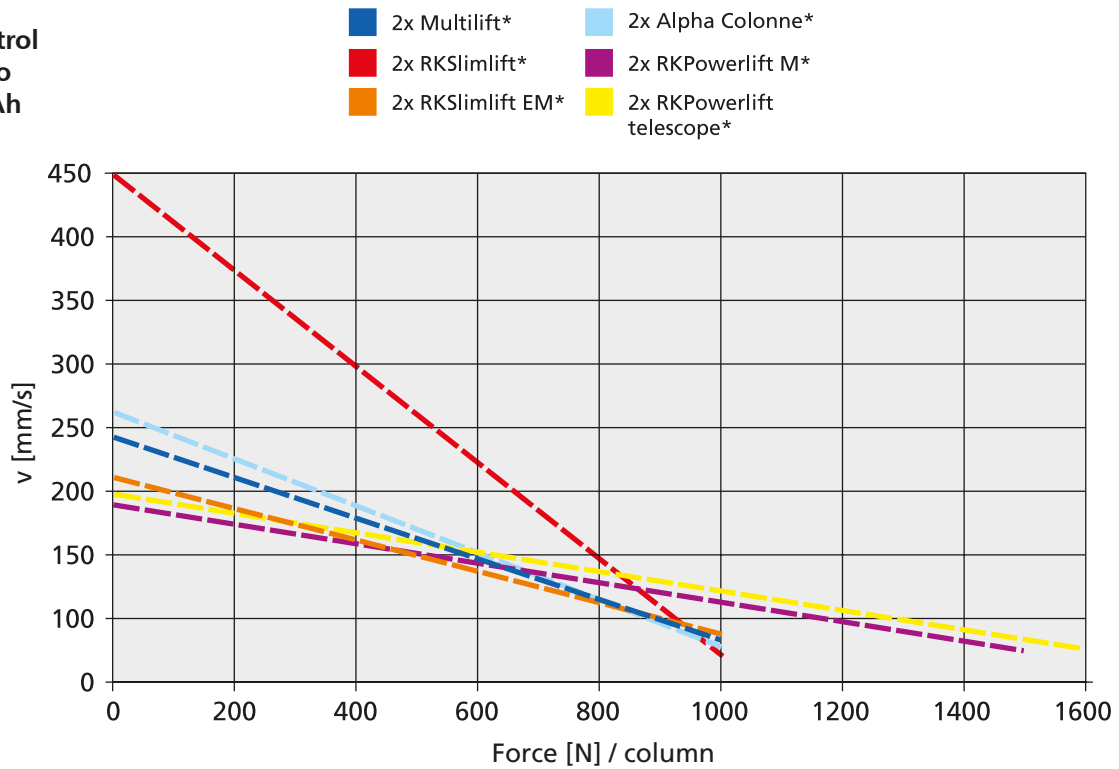
Speed achievable in battery mode

MultiControl
mono/duo
accu 7.2 Ah



Double strokes achievable in battery mode

MultiControl
mono/duo
accu 7.2 Ah



*Values with 2 drives in parallel/synchronous operation (with a stroke of 500 mm).
These values increase by a factor of 2.5 if a single drive is used.

We say what we do - and do what we say!
We also say what we can't do - and don't do it!



RK ROSE+KRIEGER

A Phoenix Mecano Company

Connecting and positioning systems

RK Rose+Krieger GmbH
Postfach 15 64
D-32375 Minden
Telephone: +49 (5) 71/9335-0
Fax: +49 (5) 71/9335-119
E-Mail: info@rk-online.de
Internet: www.rk-rose-krieger.com