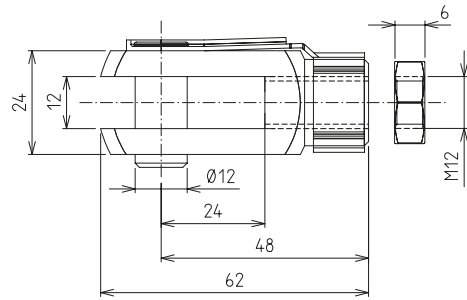
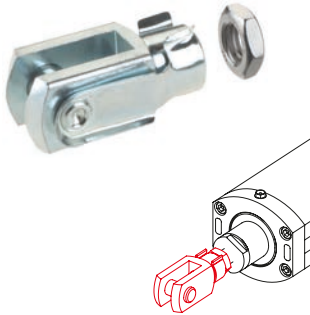


**Electric cylinder**

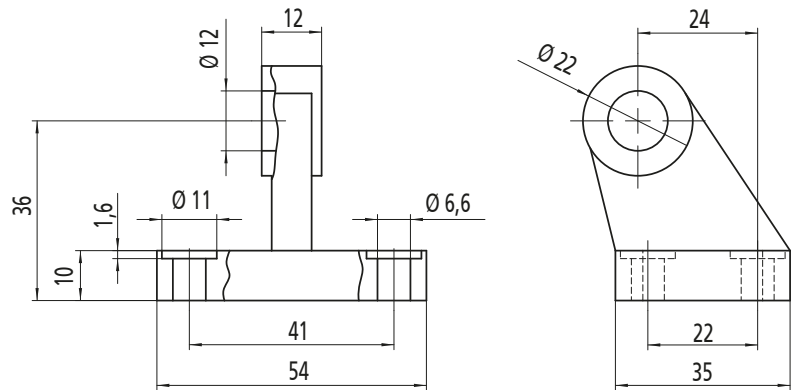
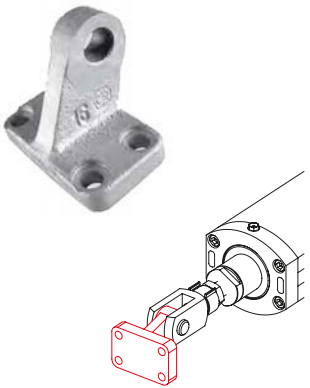
**LZ 60 S – Accessories**

**Clevis**



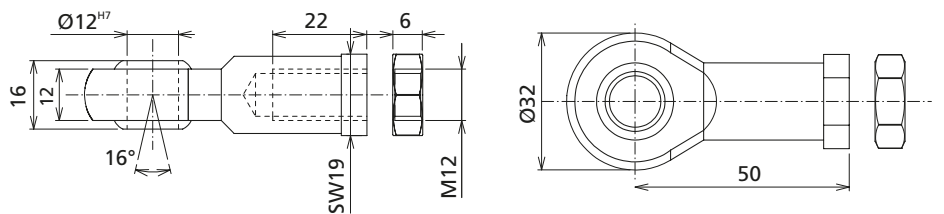
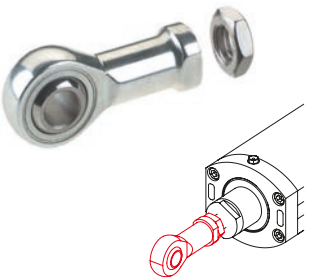
Code No.	Type
QZD050570	Clevis M12

**Bearing block for clevis**



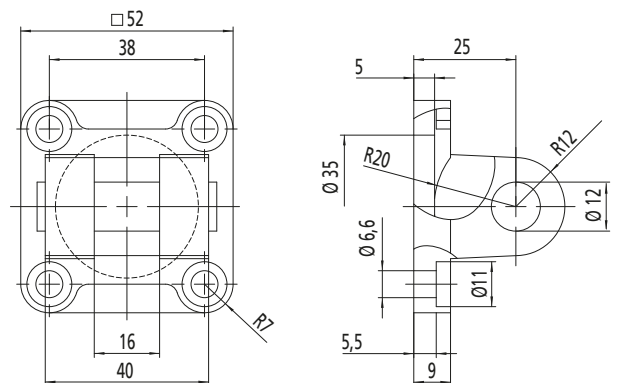
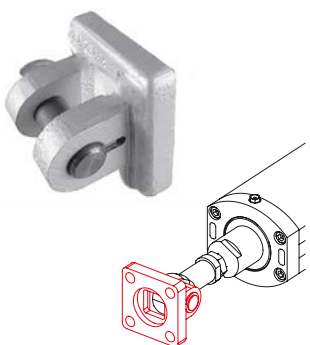
Code No.	Type
QZD050572	LZ 60 Bearing block $\varnothing 12$

**Swivel head**



Code No.	Type
QZD050574	Swivel head M12

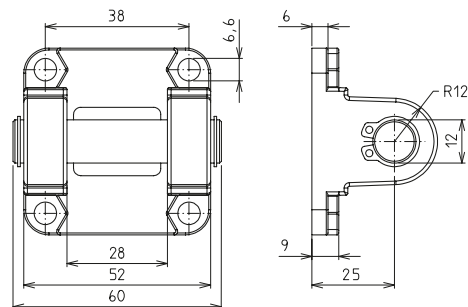
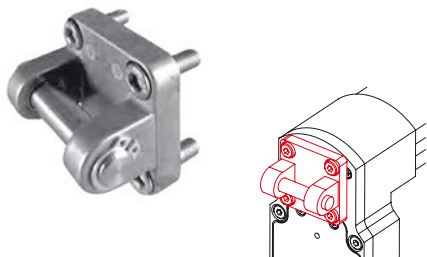
**Clevis mounting for swivel head**



Code No.	Type
QZD050576	LZ 60 Clevis mounting $\varnothing 12$

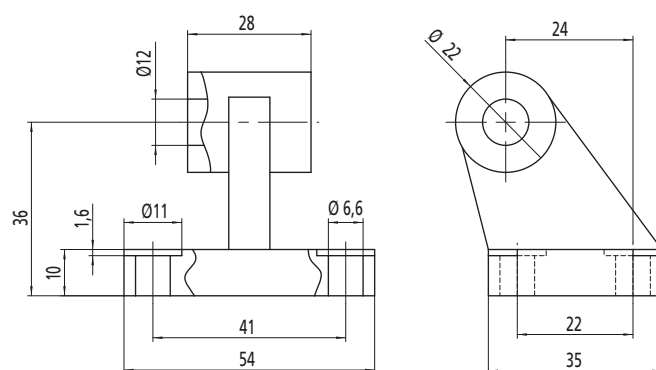
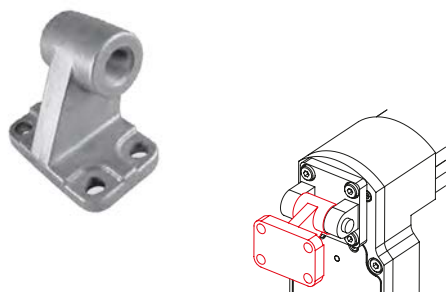


### Swivel flange



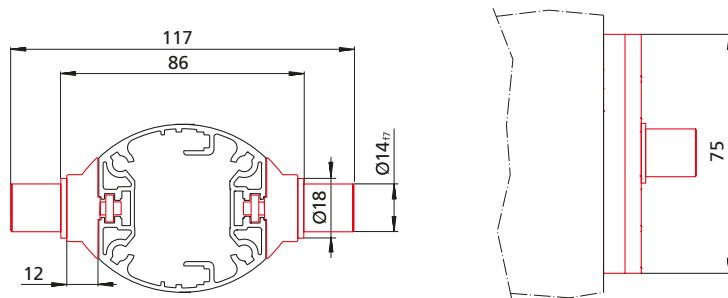
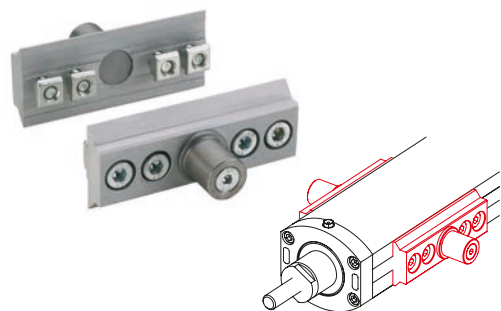
Code No.	Type
QZD050578	Swivel flange Ø 12

### Bearing block for swivel flange



Code No.	Type
QZD050583	LZ 60 Bearing block Ø 12

### Trunnion support blocks

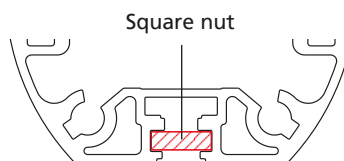


Code No.	Type
QZD050586	Trunnion support blocks LZ 60

#### Order instruction square nut:

- Purchase only in lot sizes and a multiple of that, see product table below

### Square nut



- The square nut enables the the attachment of fittings to the cylinder. Nuts can be slid into the lateral slots for this purpose.

Code No.	lot sizes	Type
QZD0505971	10, 20, 30... pcs	Square nut M6, DIN562

## Electric cylinder

# LZ 60 S – Accessories

### Axial adjustment

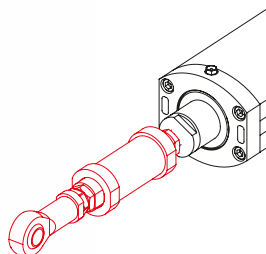


### Axial adjustment

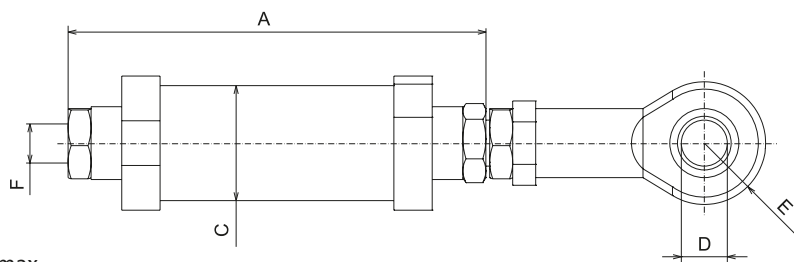
- Compensates manufacturing tolerances
- Compensates installation tolerances
- Length compensation -2 mm
- Reduces commissioning times

### Scope of delivery:

Axial adjustment, incl. swivel head as depicted



**Note:**  
Screw depth 15 mm max.



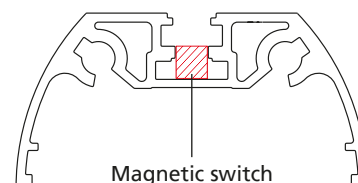
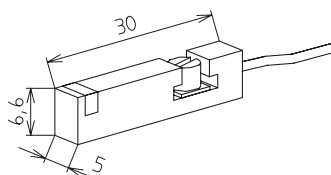
[mm]

Code No.	Load	A	C	D	E	F
QZD050590	600 N	102	Ø30	Ø12	R16	M12
QZD050591	1000 N	102				
QZD050592	2000 N	103.5				
QZD050593	2500 N	109				
QZD050594	3000 N	107.5				
QZD050595	4000 N	139.5				



## Magnetic switch

- Signals from the magnetic switch can be collected and evaluated by a customer-provided control unit (such as a PLC).
- The switch can be retrofitted in the lateral slot (protected by a cover profile as standard)
- Magnets are already integrated in the cylinder as standard.



Code No.	Type
QZD050598	Magnetic switch, NO contact, cable length 6 m
QZD050599	Magnetic switch, NC contact, cable length 5.3 m

## Magnetic switch – Technical data

	NC contact	NO contact
Voltage	10-30 V DC	5-30 V DC
Current output	< 10 mA	< 10 mA
Output current	Max. 100 mA	Max. 50 mA
Output type	PNP	PNP
Function indication	LED	LED
Ambient temperature	-25°C to +85°C	-20°C to +70°C
Protection class	IP 67	IP 68