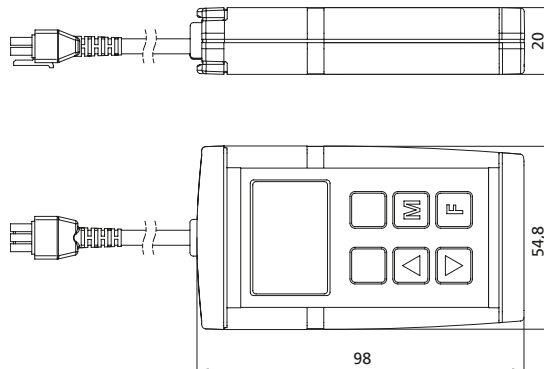


MultiControl II

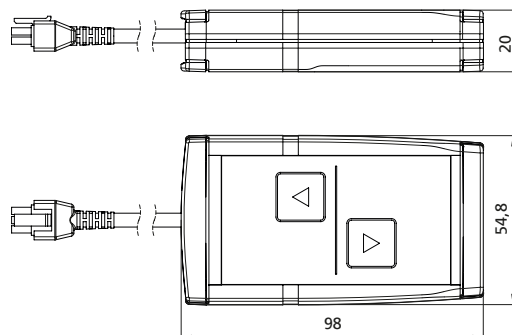
Hand switches with 6 function keys

1



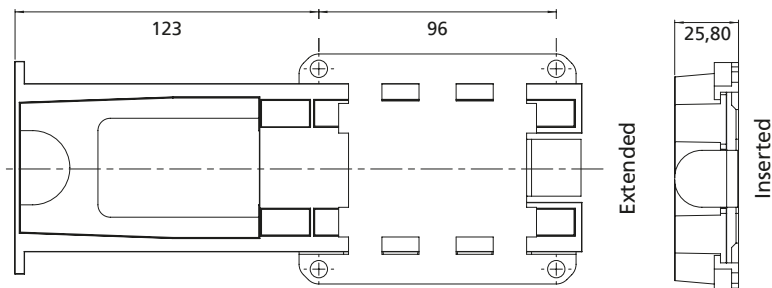
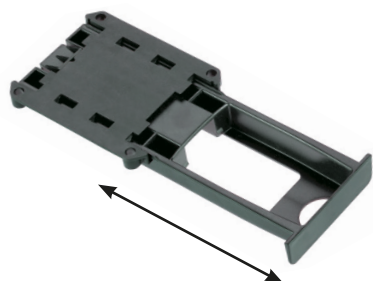
Hand switches with 2 function keys

2



Hand switch drawer

3



Code No.	Version	Fig.
QZB11G07AV041	Hand switch with 6 function keys and display – 1 m cable lenth	1
QZB11G07AB041	Hand switch with 2 function keys – 1 m cable lenth	2
QZD000074	Hand switch drawer for hand switches with 6 and 2 function keys	3