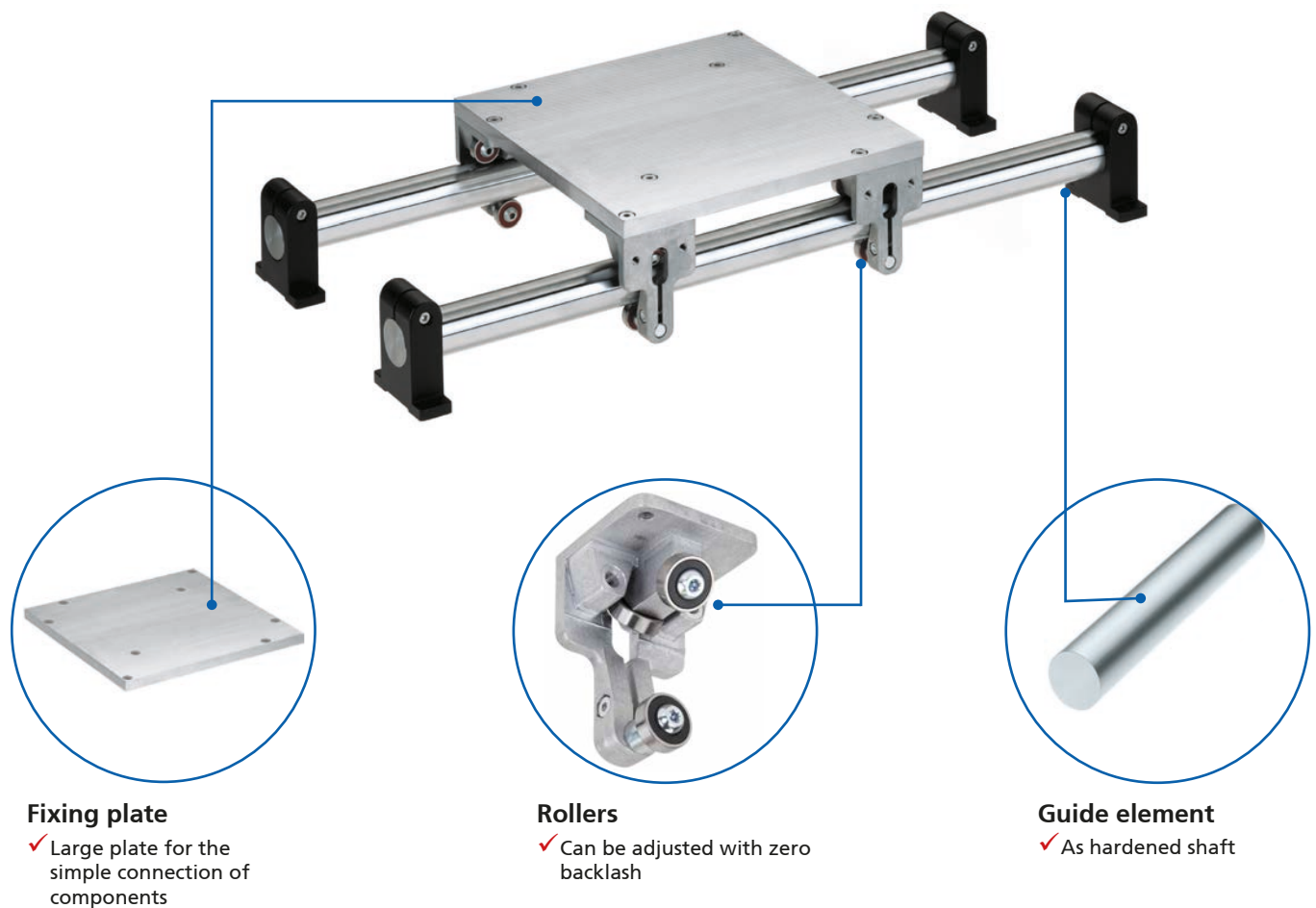


# Twin tube guides – RE

**Robust guide**  
for simple adjustment of medium loads



## Features:

- Simple and robust design
- Cost-effective



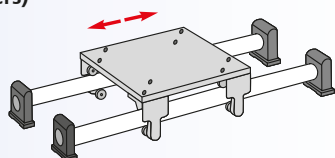
## RE linear guide – Table of contents

### Properties/Technical data

- General information/operating conditions ..... 94
- Load data..... 95

### Versions

(Dimensions, order numbers)



- RE linear guide ..... 96 - 97

### Accessories

#### Fixing

- Fixing plate..... 98
- FKW shaft bracket..... 98
- Guide shaft ..... 98

#### Drive

- RF/RL roller guide element ..... 99

## General information/operating conditions

Design	Simple and robust twin tube guide unit
Guide	Roller guide, can be adjusted with zero backlash
Installation position	Any position
Max. travel speed	2.5 m/s
Self-locking	No
Ambient temperature	0°C to +60°C

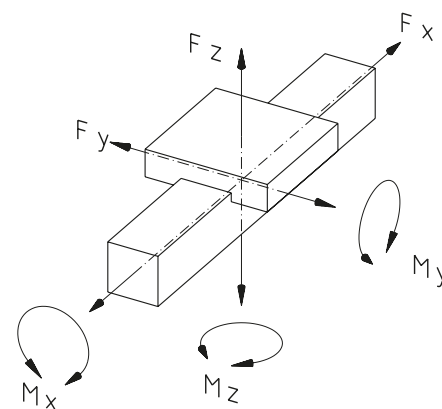


**RE – Technical data**

**Load data**

- F Force [N]
- M Moment [Nm]
- I Geometric moment of inertia [cm<sup>4</sup>]

\* with reference to carriage (deflection of guide element f = 1.0 mm, static, end elements supported)

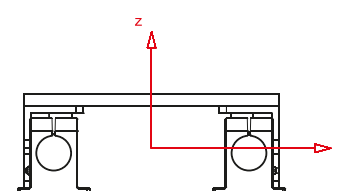


Type	Fy	Fz				Mx	My	Mz
Total length [mm]		1500	2000	2500	3000			
RE 30	330	1600	400	200	125	65	65	20
RE 40	600	2400	1050	650	400	155	155	65

**Geometric moment of inertia**

Type	Iy	Iz
RE 30	8.0	700.0
RE 40	25.1	3348.0

[cm<sup>4</sup>]



# RE – Versions

## Order instruction:

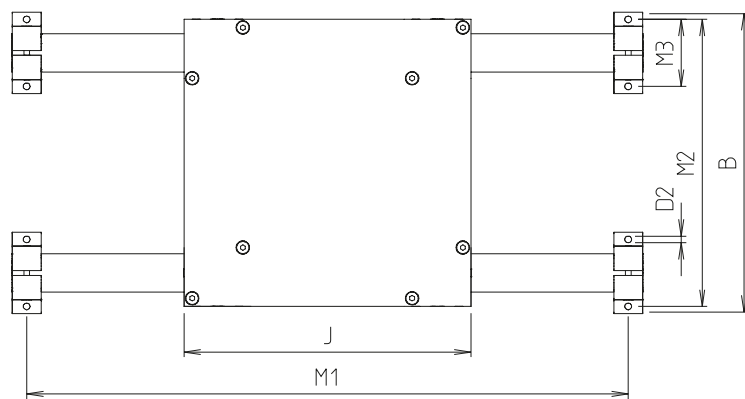
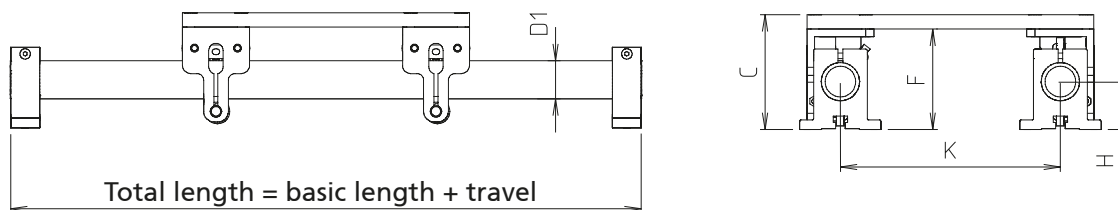
- Longer travel lengths on request

Version ■ Guide



Code No.	Type	Rollers	Guide element	Basic length	B	C	ØD1	ØD2	F	H
MEA3000AA	RE 30	Steel	Shaft, hardened	250	210	98	30	7	86	40
MEA4000AA	RE 40	Steel	Shaft, hardened	360	315	120	40	7	105	50

----- Total length = basic length + travel [mm]



[mm]

I	J	K	M1	M2	M3	max. travel	Mass [kg]	
							Basic length	per 100 mm travel
200	200	140	225	196	56	3000	5,7	1,1
300	300	230	330	300	70	3000	13,5	2,0

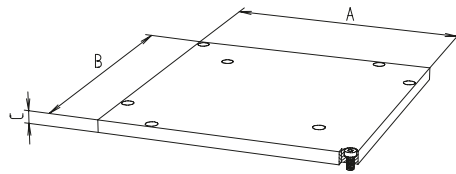
# RE – Fixing/Drive

## Fixing plate



- Connecting plate for roller guide elements

**Material:**  
Al-K100, surface-ground,  
surface roughness  $\approx 2\mu\text{m}$



[mm]

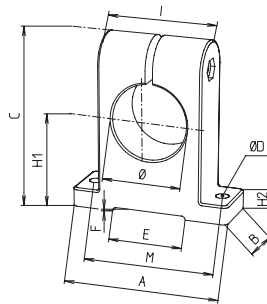
Code No.	A $\pm 0.4$	B $\pm 0.4$	C $\pm 0.15$
6821272020	200	200	12
6821272030	200	300	12
6821573030	300	300	15
6821573040	300	400	15

## FKW shaft bracket



- Fixing element for guide shafts/tube

**Material:**  
Body of element, aluminium die casting, black powder-coating,  
VA screws



[mm]

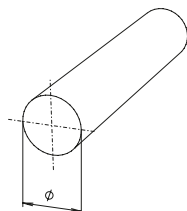
Code No.	Type	$\varnothing$ h8	A	B	C	$\varnothing$ D	H1 $\pm 0.1$	H2	I	M
52300013030	FKW 30	30	70	25	72.5	7	40	7	42	56
52400013030	FKW 40	40	85	30	92	7	50	10	56	70

## Guide shaft



- Shaft, induction hardened, ground and polished

- Hardness: 62 HRC.
- Roughness value  $R_a \leq 0.35 \text{ mm}$



[mm]

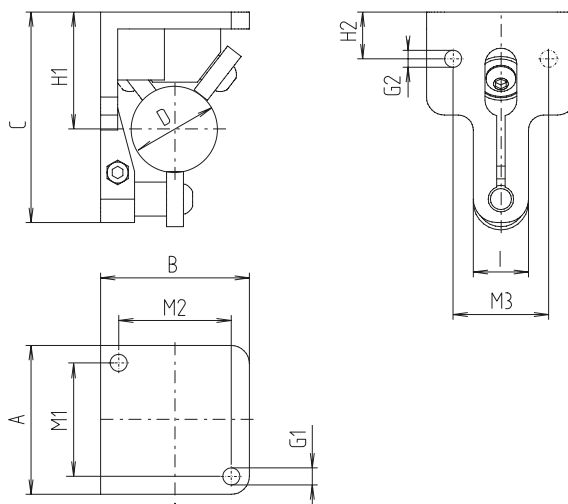
Code No.	Diameter	Material	Tolerance	max. length
<b>Guide shaft</b>				
8030005	30	Cf53 hard chrome-plated	h7	6000
8040005	40	Cf53 hard chrome-plated	h7	6000



### RF roller guide element -fixed bearing-

- Ready-to-install element
- Can be adjusted with zero backlash
- Steel rollers

**Material:** Body of element, aluminium die casting, vibratory finished  
Steel parts zinc plated



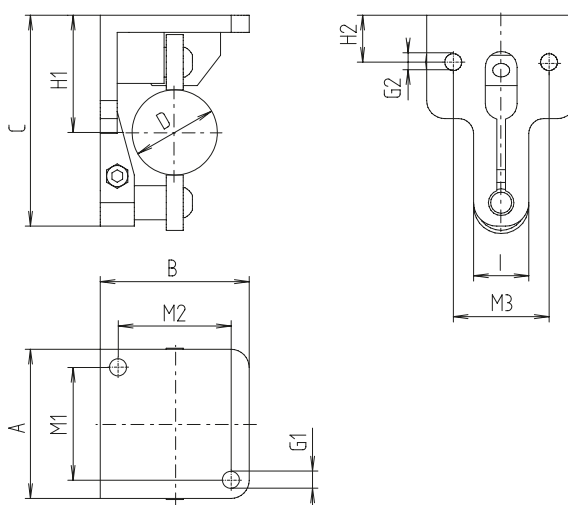
Code No.	Type	Rollers	Max. load [N]	A	B	C	D	G1	G2	H1	H2	I	M1	M2	M3
6023014	RF 30	Steel	700	60	60	83	30	M8-8 deep		46	20	22	44	44	38
6024014	RF 40	Steel	1000	70	70	99	40	M8-8 deep		55	22	26	53	53	45

[mm]

### RL roller guide element -floating bearing-

- Ready-to-install element
- Can be adjusted with zero backlash
- Steel rollers

**Material:** Body of element, aluminium die casting, vibratory finished  
Steel parts zinc plated



Code No.	Type	Rollers	Max. load [N]	A	B	C	D	G1	G2	H1	H2	I	M1	M2	M3
6023024	RL 30	Steel	700	60	60	83	30	M8-8 deep		46	20	22	44	44	38
6024024	RL 40	Steel	1000	70	70	99	40	M8-8 deep		55	22	26	53	53	45

[mm]